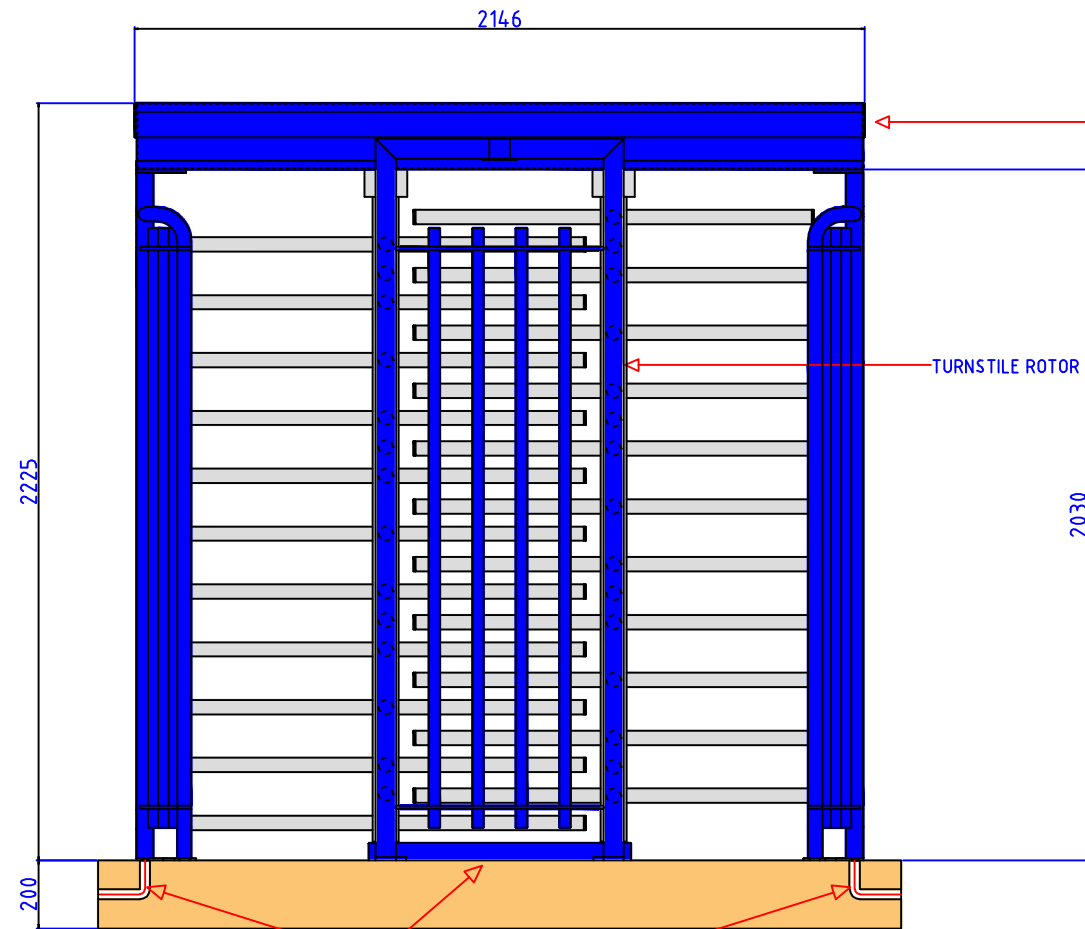


FULL HEIGHT DOUBLE TURNSTILE

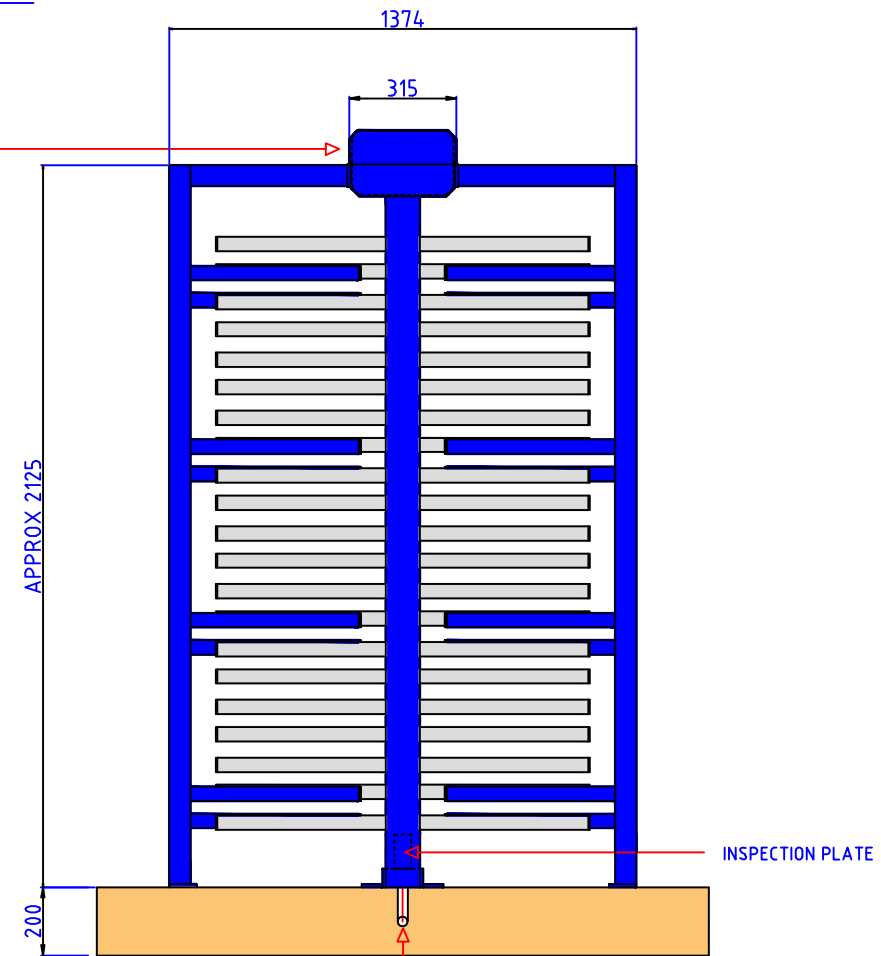


HEADER UNIT CONTAINING
TURNSTILE WORKINGS

TURNSTILE ROTOR

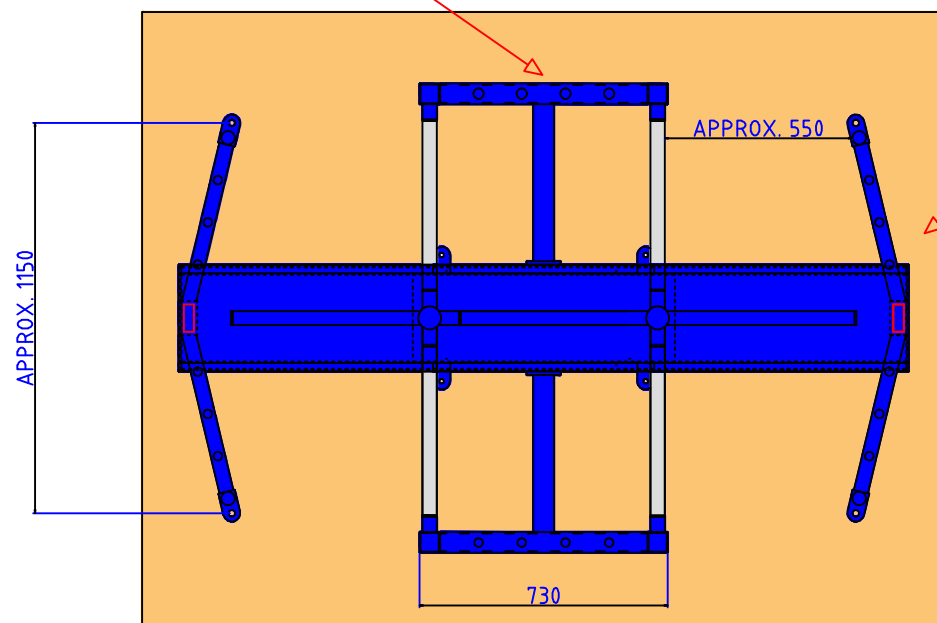
DUCT HOLES FOR MAINS
MAXIMUM 50mm DUCT

BOX FRAME TO SEAL OFF
WALK WAY BETWEEN THE
2 ROTORS.



INSPECTION PLATE

DUCT HOLES FOR MAINS
MAXIMUM 50mm DUCT

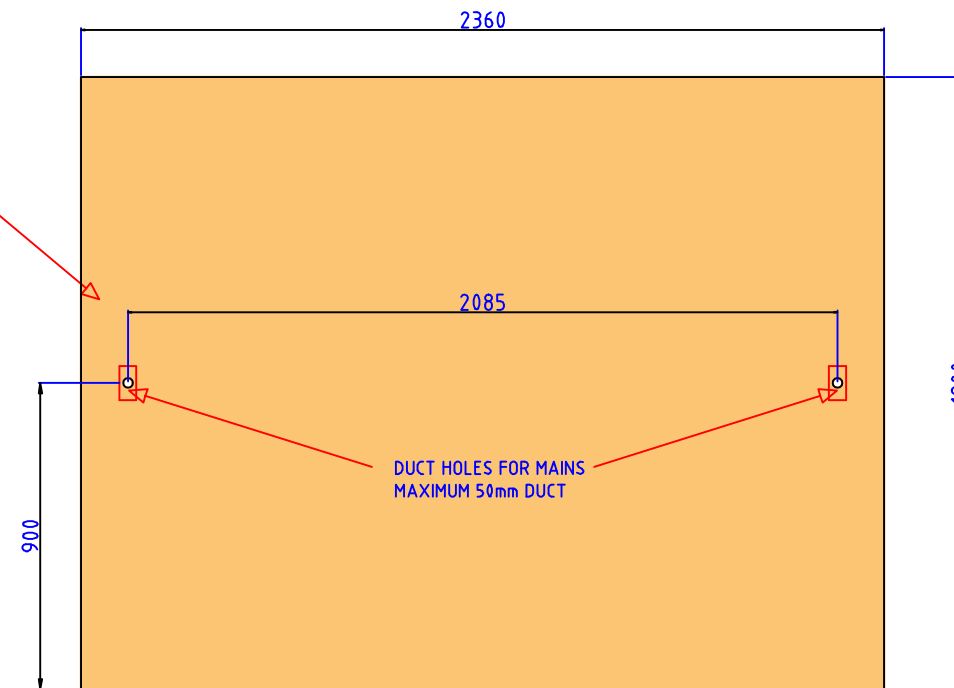


CONCRETE PLINTH

APPROX. 550

APPROX. 1150

730



DUCT HOLES FOR MAINS
MAXIMUM 50mm DUCT

2085

900

1800

DRAWN BY :	STUART RUSSELL	TITLE :	PF4000 FULL HEIGHT DOUBLE TURNSTILE - 4 WING - STRAIGHT ARM		
DATE :	02/07/2009	DRAWING NUMBER :	PF4000-FH4D	REVISION :	1
SCALE :	SCHEMATIC				